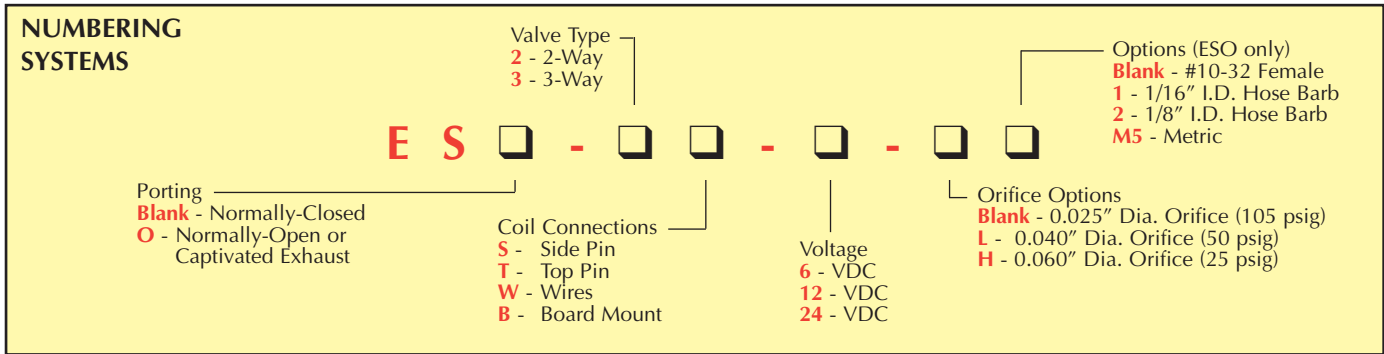




ES, ESO SERIES VALVES



Quality Design

The compact ES valve, like Clippard EV and ET valves, converts low voltage, low current signals into high pressure (0 to 105 psig) pneumatic outputs, utilizing a unique, patented, valving principle. Since there are no sliding parts, and complete poppet travel is only 0.007", low power consumption and exceptionally long life are assured with this design. No flow is required for cooling because the compact ES is cool, as well as quiet, in operation.

The compact nature of design makes this valve well suited to a wide range of applications in biomedical, environmental test equipment, textile machines, packaging machinery, computerized industrial automation, and portable systems.



Features

- Temperature Range: 30 to 180°F
- Medium: Air (40 micron filtration)
- Low power consumption - 1 watt at rated voltage
- Close mounting - 7/8" on center
- Voltage Options: 6, 12 or 24 VDC
- Overall height less than 1"
- Easy to mount on manifold with two #4-40 screws
- Response: 5 to 10 milliseconds at max rated pressure
- Geometric design
- Polymer housing - Zytel ST 801® super tough
- Pin connectors - AMP # 103959-2 or 18" wire leads: #26 wire
- Flow up to 0.6 scfm/17 l/min

Zytel ST 801® super tough is a registered trademark of DuPont

NOMINAL			Power (watts)	Working Range (cont. duty)
Voltage	Current (amps)	Resistance (ohms)		
6	0.17	36	1.0	90% to 150% of rated voltage
12	0.083	144	1.0	
24	0.042	576	1.0	